



SEALS & O-RINGS

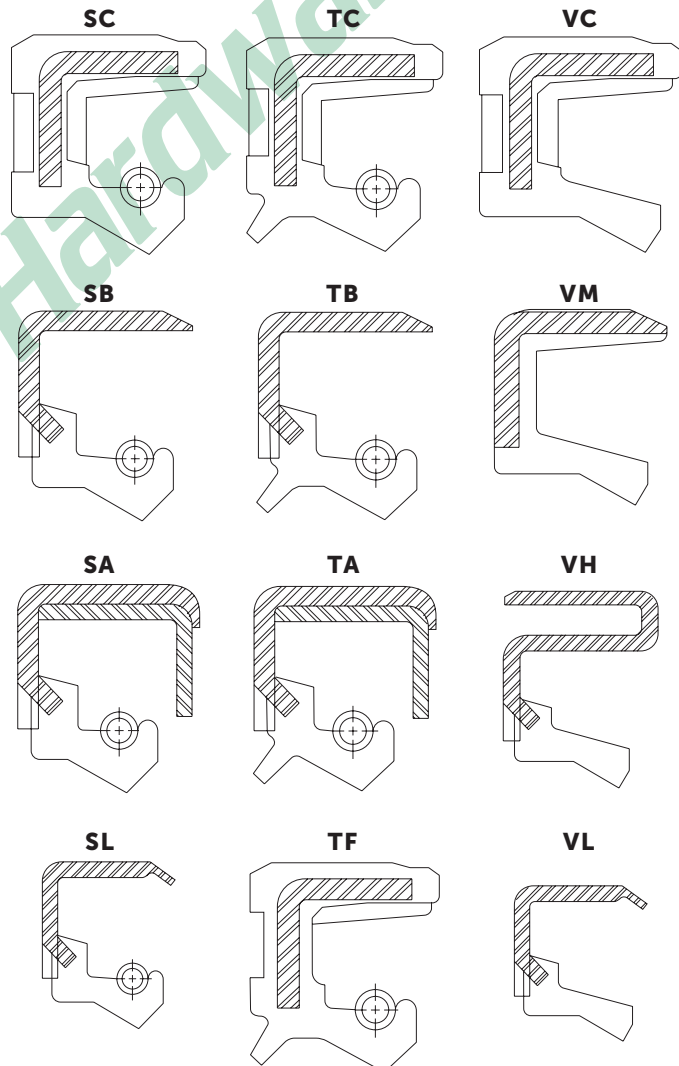
Keep the dirt out and grease/oil in with these premium-quality Dichtomatik seals. We stock a wide variety of sizes and configurations with many more options available.



DICHTOMATIK

- High quality shaft seals designed to retain oil/grease while keeping contaminants out.
- Unless specified, the standard lip material is nitrile and the standard case material is carbon steel.
- Many more sizes available.

Callout Codes
Lip Design
S - Single Lip, Spring Loaded
L - Double Lip, Spring Loaded
V - Single Lip
Case Style
A - Double Case
B - Lip Attached to End of Case Only
C - Rubberized Casing
F - Special Fully Encased Design
H - Reverse Case Style
L - Single Case, Rolled Leading Edge
M - Fully Rubberized Inner Case
Y - Design Variation from Standard
Case Material
C - Carbon Steel (standard)
H - Rubber Coated Carbon Steel



Shaft Seals & Grease Caps

Standard Oil Seals

- › Dichtomatik Oil & Grease Seal
- › Designed To Retain Oil & Grease While Keeping Contaminants Out
- › Carbon Steel, Nitrile Rubber Construction



07101VC

SKU #	Inner Diameter	Outer Diameter	Width	Style	Features	List Price
05082TB	0.500"	0.875"	0.250"	Double Lip		
05092TB	0.500"	0.999"	0.250"	Double Lip		
05112TBH	0.500"	1.124"	0.250"	Double Lip	Rubber Coated	
05122TC	0.500"	1.250"	0.250"	Double Lip	Rubber Coated	
05132TBH	0.500"	1.375"	0.250"	Double Lip	Rubber Coated	
061118VL	0.625"	1.125"	0.188"	Single Lip		
06111SB	0.688"	1.187"	0.188"	Single Lip		
06112TB	0.625"	1.125"	0.250"	Double Lip		
06122TB	0.625"	1.250"	0.250"	Double Lip		
06132TB	0.625"	1.375"	0.250"	Double Lip		
068112TC	0.688"	1.125"	0.250"	Double Lip	Rubber Coated	
07101VC	0.750"	1.000"	0.125"	Single Lip	Rubber Coated	
07111TB	0.750"	1.124"	0.188"	Double Lip		
07122SB	0.750"	1.250"	0.250"	Single Lip		
07122TBH	0.750"	1.250"	0.250"	Double Lip	Rubber Coated	
07132TB	0.750"	1.312"	0.250"	Double Lip		
07142TBH	0.750"	1.499"	0.250"	Double Lip	Rubber Coated	
07162TB	0.750"	1.624"	0.250"	Double Lip		
07172SB	0.750"	1.752"	0.250"	Single Lip		
071782SL	0.750"	1.780"	0.250"	Single Lip		
07182TBH	0.750"	1.874"	0.250"	Double Lip	Rubber Coated	
072043TBH	0.750"	2.047"	0.312"	Double Lip	Rubber Coated	
075132TB	0.750"	1.375"	0.250"	Double Lip		
078133SB	0.781"	1.375"	0.313"	Single Lip		
0781631TB	0.781"	1.624"	0.313"	Double Lip		
08121TB	0.875"	1.250"	0.188"	Double Lip		
081241VL	0.875"	1.246"	0.188"	Single Lip		
08132TBH	0.875"	1.375"	0.250"	Double Lip	Rubber Coated	
08142TBH	0.875"	1.499"	0.250"	Double Lip	Rubber Coated	
08162TB	0.875"	1.624"	0.250"	Double Lip		
08182TBH	0.875"	1.874"	0.250"	Double Lip	Rubber Coated	
08202SB	0.875"	2.000"	0.250"	Single Lip		
09142TB	0.984"	1.499"	0.250"	Double Lip		
09172SBH	0.969"	1.750"	0.250"	Double Lip	Rubber Coated	
093132TBH	0.937"	1.375"	0.250"	Double Lip	Rubber Coated	
093142TB	0.937"	1.499"	0.250"	Double Lip		
100142SC	1.000"	1.437"	0.250"	Single Lip	Rubber Coated	
100142TBY	1.000"	1.438"	0.250"	Double Lip		
100182TBH	1.000"	1.828"	0.250"	Double Lip	Rubber Coated	
10121KC	1.000"	1.250"	0.125"	Single Lip	Rubber Coated	
101311VL	1.000"	1.312"	0.125"	Single Lip		
10132PSB	1.000"	1.375"	0.250"	Single Lip		

For current prices and product availability, visit: <https://paulbhardware.com/catalog-tool>

Shaft Seals & Grease Caps

Standard Oil Seals

SKU #	Inner Diameter	Outer Diameter	Width	Style	Features	List Price
10132TBY	1.000"	1.375"	0.250"	Double Lip		
10142TBH	1.000"	1.499"	0.250"	Double Lip	Rubber Coated	
10142TBY	1.000"	1.499"	0.250"	Double Lip		
10152SL	1.000"	1.561"	0.250"	Single Lip		
101572TB	1.000"	1.575"	0.250"	Double Lip		
10162TB	1.000"	1.624"	0.250"	Double Lip		
10162TC	1.000"	1.625"	0.250"	Double Lip	Rubber Coated	
101682TBH	1.000"	1.686"	0.250"	Double Lip	Rubber Coated	
10172TB	1.000"	1.752"	0.250"	Double Lip		
10174VHY	1.000"	1.781"	0.469"	Single Lip		
10182SB	1.000"	1.851"	0.250"	Single Lip		
101872TB	1.000"	1.874"	0.250"	Double Lip		
10192VB	1.000"	1.938"	0.250"	Single Lip		
10193TBH	1.000"	1.982"	0.313"	Double Lip	Rubber Coated	
1019725TC	1.000"	1.979"	0.252"	Double Lip	Rubber Coated	
10202TB	1.000"	2.000"	0.250"	Double Lip		
102042TB	1.000"	2.047"	0.250"	Double Lip		
10243TC	1.000"	2.441"	0.375"	Double Lip	Rubber Coated	
106142SBH	1.063"	1.499"	0.250"	Single Lip	Rubber Coated	
111502SC	1.125"	1.500"	0.250"	Single Lip		
11152SB	1.125"	1.562"	0.250"	Single Lip		
111572TB	1.125"	1.575"	0.250"	Double Lip		
11162TB	1.125"	1.624"	0.250"	Double Lip		
11172TB	1.125"	1.752"	0.250"	Double Lip		
11174TB	1.125"	1.781"	0.469"	Double Lip		
111782VH	1.125"	1.781"	0.250"	Single Lip		
11182TBH	1.125"	1.828"	0.250"	Double Lip	Rubber Coated	
111833TC	1.125"	1.832"	0.312"	Double Lip	Rubber Coated	
111872TBH	1.125"	1.874"	0.250"	Double Lip	Rubber Coated	
11202SB	1.125"	2.000"	0.250"	Single Lip		
11202VHY	1.125"	2.000"	0.250"	Single Lip		
11203TB	1.125"	2.000"	0.375"	Double Lip		
11242SB	1.125"	2.441"	0.250"	Single Lip		
11242TBH	1.125"	2.441"	0.250"	Double Lip	Rubber Coated	
115202TB	1.166"	2.000"	0.250"	Double Lip		
118162SB	1.188"	1.687"	0.250"	Single Lip		
118192TBH	1.188"	1.983"	0.250"	Double Lip	Rubber Coated	
118202TBH	1.188"	2.000"	0.250"	Double Lip	Rubber Coated	
1182122TBH	1.187"	2.125"	0.250"	Double Lip	Rubber Coated	
118212SBH	1.188"	2.125"	0.313"	Double Lip	Rubber Coated	
121622TC	1.250"	1.625"	0.250"	Double Lip	Rubber Coated	
12162SB	1.250"	1.687"	0.250"	Single Lip		
12163TB	1.250"	1.687"	0.313"	Double Lip		
12172TB	1.250"	1.752"	0.250"	Double Lip		
12182TB	1.250"	1.874"	0.250"	Double Lip		
12192TB	1.250"	1.979"	0.250"	Double Lip		
12194TC	1.250"	1.979"	0.406"	Double Lip	Rubber Coated	
12194VHY	1.250"	1.979"	0.406"	Single Lip		
121964VHY	1.250"	1.968"	0.469"	Single Lip		
121974TB	1.219"	1.979"	0.406"	Double Lip		

Shaft Seals & Grease Caps

Standard Oil Seals

SKU #	Inner Diameter	Outer Diameter	Width	Style	Features	List Price
121982TB	1.250"	1.983"	0.250"	Double Lip		
121982VH	1.250"	1.983"	0.250"	Single Lip		
12202TB	1.250"	2.000"	0.250"	Double Lip		
12203TC	1.250"	2.000"	0.312"	Double Lip	Rubber Coated	
122062TB	1.250"	2.061"	0.250"	Double Lip		
12212TB	1.250"	2.125"	0.250"	Double Lip		
12222VB	1.250"	2.250"	0.250"	Single Lip		
12223TBH	1.250"	2.252"	0.375"	Double Lip	Rubber Coated	
122323ATC	1.250"	2.328"	0.375"	Double Lip	Rubber Coated	
12233TBH	1.250"	2.374"	0.313"	Double Lip	Rubber Coated	
122433TBH	1.250"	2.437"	0.375"	Double Lip	Rubber Coated	
122442SBH	1.250"	2.441"	0.250"	Double Lip	Rubber Coated	
1224431TC	1.250"	2.440"	0.310"	Double Lip	Rubber Coated	
122443TBH	1.250"	2.441"	0.375"	Double Lip	Rubber Coated	
122503TBH	1.250"	2.502"	0.375"	Double Lip	Rubber Coated	
131203TB	1.313"	2.062"	0.313"	Double Lip		
13183SB	1.375"	1.828"	0.313"	Single Lip		
131872TB	1.375"	1.874"	0.250"	Double Lip		
131873TB	1.375"	1.875"	0.313"	Double Lip		
13193PSB	1.375"	1.983"	0.313"	Single Lip		
13203TBH	1.375"	2.000"	0.313"	Double Lip	Rubber Coated	
132123TB	1.375"	2.125"	0.313"	Double Lip		
132123TC	1.375"	2.125"	0.312"	Double Lip	Rubber Coated	
13213TBH	1.375"	2.106"	0.313"	Double Lip	Rubber Coated	
13223TB	1.375"	2.250"	0.312"	Double Lip		
13234VHY	1.375"	2.328"	0.406"	Single Lip		
132443TBH	1.375"	2.441"	0.313"	Double Lip	Rubber Coated	
13253SB	1.375"	2.502"	0.313"	Single Lip		
132563TBH	1.375"	2.562"	0.375"	Double Lip	Rubber Coated	
132713TC	1.375"	2.717"	0.375"	Double Lip	Rubber Coated	
13273SB	1.375"	2.716"	0.313"	Single Lip		
13283TB	1.375"	2.835"	0.313"	Double Lip		
14223TB	1.438"	2.250"	0.313"	Double Lip		
14233TB	1.438"	2.374"	0.313"	Double Lip		
14253TBH	1.437"	2.500"	0.312"	Double Lip	Rubber Coated	
14263SB	1.438"	2.686"	0.313"	Single Lip		
15182TB	1.500"	1.874"	0.250"	Double Lip		
15192TB	1.500"	1.983"	0.250"	Double Lip		
151981TB	1.500"	1.983"	0.188"	Double Lip		
15203TB	1.500"	2.000"	0.313"	Double Lip		
15213TB	1.500"	2.125"	0.312"	Double Lip		
15223TB	1.500"	2.250"	0.313"	Double Lip		
15233VHY	1.500"	2.328"	0.390"	Single Lip		
15235TB	1.500"	2.328"	0.500"	Double Lip		
15235VHY	1.500"	2.328"	0.500"	Single Lip		
152373TB	1.500"	2.374"	0.313"	Double Lip		
152373TBH	1.500"	2.374"	0.313"	Double Lip	Rubber Coated	
15253TB	1.500"	2.502"	0.312"	Double Lip		
15262VH	1.500"	2.623"	0.250"	Single Lip		
152685TB	1.500"	2.686"	0.500"	Double Lip		

For current prices and product availability, visit: <https://paulbhardware.com/catalog-tool>

Shaft Seals & Grease Caps

Standard Oil Seals

SKU #	Inner Diameter	Outer Diameter	Width	Style	Features	List Price
15274SAH	1.500"	2.716"	0.468"	Single Lip	Rubber Coated	
152833TB	1.500"	2.835"	0.313"	Double Lip		
156213SB	1.563"	2.125"	0.313"	Single Lip		
156233TBH	1.563"	2.375"	0.313"	Double Lip	Rubber Coated	
156245TBH	1.563"	2.441"	0.500"	Double Lip	Rubber Coated	
1562563SBH	1.563"	2.561"	0.313"	Single Lip	Rubber Coated	
156263SBH	1.563"	2.686"	0.375"	Single Lip	Rubber Coated	
16223TB	1.625"	2.250"	0.313"	Double Lip		
162273TBH	1.625"	2.750"	0.312"	Double Lip	Rubber Coated	
162334VHY	1.625"	2.328"	0.438"	Single Lip		
16233TB	1.625"	2.374"	0.313"	Double Lip		
16243TB	1.625"	2.437"	0.313"	Double Lip		
162443TBH	1.625"	2.441"	0.313"	Double Lip	Rubber Coated	
16253TB	1.625"	2.502"	0.313"	Double Lip		
16253TBH	1.625"	2.502"	0.313"	Double Lip	Rubber Coated	
162564VHY	1.625"	2.562"	0.438"	Single Lip		
16263TBH	1.625"	2.623"	0.313"	Double Lip	Rubber Coated	
168223SAY	1.688"	2.275"	0.312"	Single Lip		
168233TB	1.688"	2.328"	0.328"	Double Lip		
168235VHY	1.688"	2.328"	0.500"	Single Lip		
168243SB	1.688"	2.437"	0.313"	Single Lip		
168255TB	1.688"	2.562"	0.500"	Double Lip		
168265SB	1.688"	2.623"	0.500"	Single Lip		
168265TB	1.688"	2.623"	0.531"	Double Lip		
1682713SL	1.688"	2.716"	0.313"	Single Lip		
171255TB	1.719"	2.561"	0.500"	Double Lip		
171255VB	1.719"	2.561"	0.500"	Single Lip		
17211SB	1.750"	2.125"	0.188"	Single Lip		
17234SB	1.750"	2.328"	0.437"	Single Lip		
172373TBH	1.750"	2.374"	0.313"	Double Lip	Rubber Coated	
17243TB	1.750"	2.437"	0.313"	Double Lip		
17243TBH	1.750"	2.437"	0.313"	Double Lip	Rubber Coated	
172443TBH	1.750"	2.441"	0.313"	Double Lip	Rubber Coated	
17253TB	1.750"	2.502"	0.313"	Double Lip		
172562VH	1.750"	2.561"	0.250"	Single Lip		
172565VAY	1.750"	2.562"	0.500"	Single Lip		
17262VHY	1.750"	2.623"	0.250"	Single Lip		
17263TBH	1.750"	2.623"	0.313"	Double Lip	Rubber Coated	
17272VH	1.750"	2.750"	0.250"	Single Lip		
17273TB	1.750"	2.750"	0.313"	Double Lip		
17273VHY	1.750"	2.718"	0.359"	Single Lip		
17274TB	1.750"	2.717"	0.438"	Double Lip		
172833VHH	1.750"	2.830"	0.375"	Single Lip	Rubber Coated	
17283TB	1.750"	2.810"	0.313"	Double Lip		
172873SBH	1.750"	2.875"	0.313"	Single Lip	Rubber Coated	
175253TB	1.750"	2.565"	0.313"	Double Lip		
173037TB	1.750"	3.000"	0.375"	Double Lip		
181243SBH	1.813"	2.437"	0.315"	Single Lip	Rubber Coated	
181254VHY	1.813"	2.562"	0.438"	Single Lip		
182392TC	1.875"	2.398"	0.250"	Double Lip	Rubber Coated	

For current prices and product availability, visit: <https://paulbhardware.com/catalog-tool>

Shaft Seals & Grease Caps

Standard Oil Seals

SKU #	Inner Diameter	Outer Diameter	Width	Style	Features	List Price
182473TB	1.875"	2.471"	0.313"	Double Lip		
18253TBH	1.875"	2.502"	0.313"	Double Lip	Rubber Coated	
18263TBH	1.875"	2.623"	0.313"	Double Lip	Rubber Coated	
18272VAY	1.875"	2.721"	0.266"	Single Lip		
18302VH	1.875"	3.000"	0.250"	Single Lip		
19253TB	1.938"	2.502"	0.375"	Double Lip		
19303TB	1.938"	3.000"	0.313"	Double Lip		
196265SAH	1.968"	2.686"	0.500"	Single Lip	Rubber Coated	
20252TC	2.000"	2.502"	0.250"	Double Lip	Rubber Coated	
20263TB	2.000"	2.623"	0.313"	Double Lip		
202683SB	2.000"	2.686"	0.375"	Single Lip		
202713TBH	2.000"	2.716"	0.375"	Double Lip	Rubber Coated	
20273TB	2.000"	2.750"	0.313"	Double Lip		
20283TA	2.000"	2.875"	0.313"	Double Lip		
20303TB	2.000"	3.000"	0.313"	Double Lip		
203063TBH	2.000"	3.062"	0.375"	Double Lip	Rubber Coated	
203065TA	2.000"	3.061"	0.500"	Double Lip		
20313TB	2.000"	3.125"	0.312"	Double Lip		
20324TA	2.000"	3.251"	0.438"	Double Lip		
20334TA	2.000"	3.371"	0.438"	Double Lip		
203412VL	2.000"	3.148"	0.250"	Single Lip		
203544TL	2.000"	3.543"	0.438"	Double Lip		
20362VH	2.000"	3.623"	0.250"	Single Lip		
2063037TBH	2.063"	3.000"	0.375"	Double Lip	Rubber Coated	
21284TB	2.125"	2.875"	0.438"	Double Lip		
21302VB	2.125"	3.000"	0.250"	Single Lip		
21303TA	2.125"	3.000"	0.375"	Double Lip		
21303TBH	2.125"	3.000"	0.375"	Double Lip	Rubber Coated	
213065TB	2.125"	3.061"	0.500"	Double Lip		
21313TBH	2.125"	3.125"	0.375"	Double Lip	Rubber Coated	
213337TB	2.125"	3.371"	0.375"	Double Lip		
21334TB	2.125"	3.372"	0.438"	Double Lip		
2138	1.000"	2.000"	0.438"	Single Lip		
218303TBH	2.188"	3.000"	0.375"	Double Lip		
22302TA	2.250"	3.000"	0.250"	Double Lip		
22303TB	2.250"	3.000"	0.375"	Double Lip		
223062VHY	2.250"	3.061"	0.250"	Single Lip		
22313TBH	2.250"	3.125"	0.375"	Double Lip	Rubber Coated	
22323TB	2.250"	3.251"	0.375"	Double Lip		
22333TC	2.250"	3.371"	0.375"	Double Lip	Rubber Coated	
22334TA	2.250"	3.371"	0.438"	Double Lip		
223353TAH	2.250"	3.350"	0.375"	Double Lip	Rubber Coated	
223354SA	2.250"	3.350"	0.438"	Double Lip		
22354TAH	2.250"	3.500"	0.438"	Double Lip	Rubber Coated	
229313VHY	2.297"	3.148"	0.359"	Single Lip		
231324SA	2.313"	3.251"	0.438"	Single Lip		
233374TA	2.375"	3.371"	0.438"	Double Lip		
233374TAH	2.375"	3.371"	0.438"	Double Lip	Rubber Coated	
23352VHY	2.375"	3.543"	0.250"	Single Lip		
23353PTB	2.375"	3.500"	0.375"	Double Lip		

For current prices and product availability, visit: <https://paulbhardware.com/catalog-tool>

Shaft Seals & Grease Caps

Standard Oil Seals

SKU #	Inner Diameter	Outer Diameter	Width	Style	Features	List Price
23353SAH	2.375"	3.500"	0.500"	Single Lip	Rubber Coated	
25312VH	2.500"	3.125"	0.250"	Single Lip		
25323TB	2.500"	3.251"	0.375"	Double Lip		
25352VH	2.500"	3.500"	0.250"	Single Lip		
25354TB	2.500"	3.500"	0.438"	Double Lip		
25363TBH	2.500"	3.623"	0.375"	Double Lip	Rubber Coated	
25374SA	2.500"	3.751"	0.438"	Single Lip		
25374TA	2.500"	3.751"	0.438"	Double Lip		
26353TB	2.625"	3.500"	0.375"	Double Lip		
27353TB	2.750"	3.500"	0.375"	Double Lip		
27372VHY	2.750"	3.751"	0.250"	Single Lip		
27374TB	2.750"	3.751"	0.438"	Double Lip		
27383TB	2.750"	3.876"	0.375"	Double Lip		
28363TB	2.875"	3.623"	0.375"	Double Lip		
28374SA	2.875"	3.751"	0.438"	Single Lip		
28413TA	2.875"	4.125"	0.375"	Double Lip		
30403TB	3.000"	4.000"	0.375"	Double Lip		
35494TAH	3.500"	4.999"	0.468"	Double Lip	Rubber Coated	
38524TAH	3.875"	5.251"	0.438"	Double Lip	Rubber Coated	

Metric Oil Seals

- › Dichtomatik Oil & Grease Seal
- › Designed To Retain Oil & Grease While Keeping Contaminants Out
- › Carbon Steel, Nitrile Rubber Construction



40X60X10TC

Double Lip & Single Lip - Rubber Coated

SKU #	Inner Diameter	Outer Diameter	Width	List Price	SKU #	Inner Diameter	Outer Diameter	Width	List Price
12X22X7TC	12mm	22mm	7mm		15X35X7TC	15mm	35mm	7mm	
12X24X7TC	12mm	24mm	7mm		16X24X5SC	16mm	24mm	5mm	
12X25X7TC	12mm	25mm	7mm		16X28X7TC	16mm	28mm	7mm	
12X26X6SC	12mm	26mm	6mm		16X30X7TC	16mm	30mm	7mm	
12X28X7TC	12mm	28mm	7mm		16X35X7TC	16mm	35mm	7mm	
12X30X7SC	12mm	30mm	7mm		16X38X7TB	16mm	38mm	7mm	
12X32X7TC	12mm	32mm	7mm		16X40X7TC	16mm	40mm	7mm	
13X26X7TC	13mm	26mm	7mm		17X26X6SC	17mm	26mm	6mm	
14X22X4TC	14mm	22mm	4mm		17X28X7TC	17mm	28mm	7mm	
14X24X7TC	14mm	24mm	7mm		17X30X7TC	17mm	30mm	7mm	
14X25X5TC	14mm	25mm	5mm		17X32X7TC	17mm	32mm	7mm	
14X26X7TC	14mm	26mm	7mm		17X35X6TC	17mm	35mm	6mm	
14X28X7TC	14mm	28mm	7mm		17X40X7SC	17mm	40mm	7mm	
15X24X7TC	15mm	24mm	7mm		18X30X7TC	18mm	30mm	7mm	
15X25X7TC	15mm	25mm	7mm		18X32X7TC	18mm	32mm	7mm	
15X32X7TC	15mm	32mm	7mm		18X35X7TC	18mm	35mm	7mm	

Shaft Seals & Grease Caps

Metric Oil Seals

SKU #	Inner Diameter	Outer Diameter	Width	List Price	SKU #	Inner Diameter	Outer Diameter	Width	List Price
18X40X7TC	18mm	40mm	7mm		30X48X8TC	30mm	48mm	8mm	
19X31X8TC	19mm	31mm	8mm		30X50X7TC	30mm	50mm	7mm	
19X35X7TC	19mm	35mm	7mm		30X52X7TC	30mm	52mm	7mm	
20X30X7TC	20mm	30mm	7mm		30X55X10TC	30mm	55mm	10mm	
20X32X7TC	20mm	32mm	7mm		30X62X7TC	30mm	62mm	7mm	
20X35X7TC	20mm	35mm	7mm		32X45X7TC	32mm	45mm	7mm	
20X38X5TC	20mm	38mm	5mm		32X47X7TC	32mm	47mm	7mm	
20X40X7TC	20mm	40mm	7mm		32X48X8TC	32mm	48mm	8mm	
20X42X7TC	20mm	42mm	7mm		32X50X8SC	32mm	50mm	8mm	
20X45X7TC	20mm	45mm	7mm		32X52X7SC	32mm	52mm	7mm	
20X47X7TC	20mm	47mm	7mm		32X56X8TC	32mm	56mm	8mm	
20X52X7TC	20mm	52mm	7mm		32X72X10TC	32mm	72mm	10mm	
22X35X7TC	22mm	35mm	7mm		33X50X12TC	33mm	50mm	12mm	
22X40X7TC	22mm	40mm	7mm		33X52X6TC	33mm	52mm	6mm	
22X42X7TC	22mm	42mm	7mm		34X62X10SC	34mm	62mm	10mm	
22X45X7TC	22mm	45mm	7mm		35X45X10SC	35mm	45mm	10mm	
22X47X7TC	22mm	47mm	7mm		35X47X7TC	35mm	47mm	7mm	
24X35X7TC	24mm	35mm	7mm		35X48X8TC	35mm	48mm	8mm	
24X37X7TC	24mm	37mm	7mm		35X50X8TC	35mm	50mm	8mm	
24X40X7TC	24mm	40mm	7mm		35X52X7TC	35mm	52mm	7mm	
24X45X11TC	24mm	45mm	11mm		35X52X8TC	35mm	52mm	8mm	
24X47X7TC	24mm	47mm	7mm		35X55X11TC	35mm	55mm	11mm	
25X35X7TC	25mm	35mm	7mm		35X55X8TC	35mm	55mm	8mm	
25X36X7TC	25mm	36mm	7mm		35X56X8TC	35mm	56mm	8mm	
25X38X7TC	25mm	38mm	7mm		35X58X10TC	35mm	58mm	10mm	
25X40X7TC	25mm	40mm	7mm		35X62X12TC	35mm	62mm	12mm	
25X42X10TC	25mm	42mm	10mm		35X62X7TC	35mm	62mm	7mm	
25X45X8TC	25mm	45mm	8mm		35X72X10TC	35mm	72mm	10mm	
25X47X7TC	25mm	47mm	7mm		35X72X8TC	35mm	72mm	8mm	
25X52X7TC	25mm	52mm	7mm		35X80X8TC	35mm	80mm	8mm	
25X55X9TC	25mm	55mm	9mm		36X47X7TC	36mm	47mm	7mm	
25X62X7TC	25mm	65mm	7mm		36X52X7TC	36mm	52mm	7mm	
26X42X10TC	26mm	42mm	10mm		36X56X9TC	36mm	56mm	9mm	
26X47X7TC	26mm	47mm	7mm		36X68X10TC	36mm	68mm	10mm	
26X48X7TC	26mm	48mm	7mm		37X52X8SC	37mm	52mm	8mm	
27X37X7TC	27mm	37mm	7mm		38X50X8TC	38mm	50mm	8mm	
27X38X7TC	27mm	38mm	7mm		38X54X10TC	38mm	54mm	10mm	
27X45X7TC	27mm	45mm	7mm		38X56X10TC	38mm	56mm	10mm	
28X38X7TC	28mm	38mm	7mm		38X58X8TC	38mm	58mm	8mm	
28X40X7TC	28mm	40mm	7mm		38X62X7TC	38mm	62mm	7mm	
28X42X8TC	28mm	42mm	8mm		40X52X7TC	40mm	52mm	7mm	
28X47X7TC	28mm	47mm	7mm		40X55X8TC	40mm	55mm	8mm	
28X52X10TC	28mm	52mm	10mm		40X56X8TC	40mm	56mm	8mm	
30X40X7TC	30mm	40mm	7mm		40X58X8TC	40mm	58mm	8mm	
30X42X7TC	30mm	42mm	7mm		40X58X10TC	40mm	58mm	10mm	
30X44X7TC	30mm	44mm	7mm		40X60X10TC	40mm	60mm	10mm	
30X45X5TC	30mm	45mm	5mm		40X62X8TC	40mm	62mm	8mm	
30X47X7TC	30mm	47mm	7mm		48X62X10TC	48mm	62mm	10mm	

Shaft Seals & Grease Caps

Metric Oil Seals

SKU #	Inner Diameter	Outer Diameter	Width	List Price
40X65X10TC	40mm	65mm	10mm	
40X68X10TC	40mm	68mm	10mm	
40X68X7TC	40mm	68mm	7mm	
40X72X7TC	40mm	72mm	7mm	
40X80X10TC	40mm	80mm	10mm	
40X90X10TC	40mm	90mm	10mm	
41X55X7TC	41mm	55mm	7mm	
41X56X7TC	41mm	56mm	7mm	
42X55X8TC	42mm	55mm	8mm	
42X56X7TC	42mm	56mm	7mm	
42X60X7TC	42mm	60mm	7mm	
42X62X8TC	42mm	62mm	8mm	
42X65X10TC	42mm	65mm	10mm	
42X72X10TC	42mm	72mm	10mm	
44X60X10TC	44mm	60mm	10mm	
44X65X10TC	44mm	65mm	10mm	
44X72X10TC	44mm	72mm	10mm	
45X55X7TC	45mm	55mm	7mm	
45X60X10TC	45mm	60mm	10mm	
45X62X8TC	45mm	62mm	8mm	
45X65X8TC	45mm	65mm	8mm	
45X75X12TC	45mm	75mm	12mm	
45X75X7TC	45mm	75mm	7mm	
45X80X10TC	45mm	80mm	10mm	
45X85X10TC	45mm	85mm	10mm	
48X65X10TC	48mm	65mm	10mm	
48X68X8TC	48mm	68mm	8mm	

SKU #	Inner Diameter	Outer Diameter	Width	List Price
48X70X9TC	48mm	70mm	9mm	
48X72X7TC	48mm	72mm	7mm	
50X62X7TC	50mm	62mm	7mm	
50X64X10TC	50mm	64mm	10mm	
50X65X8TC	50mm	65mm	8mm	
50X68X8TC	50mm	68mm	8mm	
50X72X8TC	50mm	72mm	8mm	
50X74X12TC	50mm	74mm	12mm	
50X75X12TC	50mm	75mm	12mm	
50X80X8TC	50mm	80mm	8mm	
50X90X10TC	50mm	90mm	10mm	
55X70X8TC	55mm	70mm	8mm	
55X80X10TC	55mm	80mm	10mm	
60X100X10TC	60mm	100mm	10mm	
60X75X8TC	60mm	75mm	8mm	
60X80X10TC	60mm	80mm	10mm	
60X90X10TC	60mm	90mm	10mm	
60X95X10TC	60mm	95mm	10mm	
62X80X10TC	62mm	80mm	10mm	
62X85X8TC	62mm	85mm	8mm	
65X80X8TC	65mm	80mm	8mm	
65X85X10TC	65mm	85mm	10mm	
65X90X10TC	65mm	90mm	10mm	
80X105X13TC	80mm	105mm	13mm	
120X160X12TC	120mm	160mm	12mm	

Grease Caps

- > Steel Hub Cap
- > For Use On Spindles & Hubs



SKU #	Diameter	Depth	List Price
1503	1.786"	1.54"	
1524	1.943"	1.38"	
1527	1.957"	1.38"	
1505	1.968"	1.18"	
1550	1.988"	1.21"	
1601	2.333"	1.28"	

SKU #	Diameter	Depth	List Price
1520X	2.446"	1.34"	
1604	2.446"	1.22"	
1605	2.722"	1.34"	
1609	3.125"	1.31"	
1607	3.155"	1.38"	
5612618	3.355"	1.38"	

For current prices and product availability, visit: <https://paulbhardware.com/catalog-tool>

Standard O-Rings



Standard SAE O-Ring Kit, 308 pc
Buna, 70 Durometer Rubber

SKU# ORKITSAE



OR111

Standard SAE O-Ring Buna, 70 Durometer Rubber

SKU #	Inner Diameter	Outer Diameter	Thickness	List Price	SKU #	Inner Diameter	Outer Diameter	Thickness	List Price
OR001	1/32"	3/32"	1/32"		OR30	1-5/8"	1-3/4"	1/16"	
OR002	3/64"	9/64"	3/64"		OR31	1-3/4"	1-7/8"	1/16"	
OR003	1/16"	3/16"	1/16"		OR32	1-7/8"	2"	1/16"	
OR004	5/64"	13/64"	1/16"		OR33	2"	2-1/8"	1/16"	
OR005	7/64"	15/64"	1/16"		OR34	2-1/8"	2-1/4"	1/16"	
OR006	1/8"	1/4"	1/16"		OR35	2-1/4"	2-3/8"	1/16"	
OR007	5/32"	9/32"	1/16"		OR36	2-3/8"	2-1/2"	1/16"	
OR008	3/16"	5/16"	1/16"		OR37	2-1/2"	2-5/8"	1/16"	
OR009	7/32"	11/32"	1/16"		OR38	2-5/8"	2-3/4"	1/16"	
OR10	1/4"	3/8"	1/16"		OR40	2-7/8"	3"	1/16"	
OR11	5/16"	7/16"	1/16"		OR41	3"	3-1/8"	1/16"	
OR12	3/8"	1/2"	1/16"		OR42	3-1/4"	3-3/8"	1/16"	
OR13	7/16"	9/16"	1/16"		OR43	3-1/2"	3-5/8"	1/16"	
OR14	1/2"	5/8"	1/16"		OR45	4"	4-1/8"	1/16"	
OR15	9/16"	11/16"	1/16"		OR104	1/8"	5/16"	3/32"	
OR16	5/8"	3/4"	1/16"		OR107	7/32"	13/32"	3/32"	
OR17	11/16"	13/16"	1/16"		OR108	1/4"	7/16"	3/32"	
OR18	3/4"	7/8"	1/16"		OR109	5/16"	1/2"	3/32"	
OR19	13/16"	15/16"	1/16"		OR110	3/8"	9/16"	3/32"	
OR20	7/8"	1"	1/16"		OR110V	3/8"	9/16"	3/32"	
OR21	15/16"	1-1/16"	1/16"		OR111	7/16"	5/8"	3/32"	
OR22	1"	1-1/8"	1/16"		OR112	1/2"	11/16"	3/32"	
OR23	1-1/16"	1-3/16"	1/16"		OR112V	1/2"	11/16"	3/32"	
OR24	1-1/8"	1-1/4"	1/16"		OR113	9/16"	3/4"	3/32"	
OR25	1-3/16"	1-5/16"	1/16"		OR114	5/8"	13/16"	3/32"	
OR26	1-1/4"	1-3/8"	1/16"		OR115	11/16"	7/8"	3/32"	
OR27	1-5/16"	1-7/16"	1/16"		OR116	3/4"	15/16"	3/32"	
OR28	1-3/8"	1-1/2"	1/16"		OR117	13/16"	1"	3/32"	
OR029	1-1/2"	1-5/8"	1/16"		OR118	7/8"	1-1/16"	3/32"	



See the Chemical Compatibility chart on page 1212.

O-Rings

Standard O-Rings

SKU #	Inner Diameter	Outer Diameter	Thickness	List Price
OR119	15/16"	1-1/8"	3/32"	
OR120	1"	1-3/16"	3/32"	
OR121	1-1/16"	1-1/4"	3/32"	
OR122	1-1/8"	1-5/16"	3/32"	
OR123	1-3/16"	1-3/8"	3/32"	
OR124	1-1/4"	1-7/16"	3/32"	
OR125	1-5/16"	1-1/2"	3/32"	
OR126	1-3/8"	1-9/16"	3/32"	
OR127	1-7/16"	1-5/8"	3/32"	
OR128	1-1/2"	1-11/16"	3/32"	
OR129	1-9/16"	1-3/4"	3/32"	
OR130	1-5/8"	1-13/16"	3/32"	
OR131	1-11/16"	1-7/8"	3/32"	
OR132	1-3/4"	1-15/16"	3/32"	
OR133	1-13/16"	2"	3/32"	
OR134	1-7/8"	2-1/16"	3/32"	
OR135	1-15/16"	2-1/8"	3/32"	
OR136	2"	2-3/16"	3/32"	
OR137	2-1/16"	2-1/4"	3/32"	
OR138	2-1/8"	2-5/16"	3/32"	
OR139	2-3/16"	2-3/8"	3/32"	
OR140	2-1/4"	2-7/16"	3/32"	
OR141	2-5/16"	2-1/2"	3/32"	
OR142	2-3/8"	2-9/16"	3/32"	
OR143	2-7/16"	2-5/8"	3/32"	
OR144	2-1/2"	2-11/16"	3/32"	
OR145	2-9/16"	2-3/4"	3/32"	
OR147	2-11/16"	2-7/8"	3/32"	
OR148	2-3/4"	2-15/16"	3/32"	
OR149	2-13/16"	3"	3/32"	
OR151	3"	3-3/16"	3/32"	
OR152	3-1/4"	3-7/16"	3/32"	
OR153	3-1/2"	3-11/16"	3/32"	
OR155	4"	4-3/16"	3/32"	
OR156	4-1/4"	4-7/16"	3/32"	
OR158	4-3/4"	4-15/16"	3/32"	
OR162	5-3/4"	5-15/16"	3/32"	
OR202	1/4"	1/2"	1/8"	
OR203	5/16"	9/16"	1/8"	
OR204	3/8"	5/8"	1/8"	
OR205	7/16"	11/16"	1/8"	
OR206	1/2"	3/4"	1/8"	
OR207	9/16"	13/16"	1/8"	
OR208	5/8"	7/8"	1/8"	
OR209	11/16"	15/16"	1/8"	
OR210	3/4"	1"	1/8"	
OR211	13/16"	1-1/16"	1/8"	
OR212	7/8"	1-1/8"	1/8"	
OR213	15/16"	1-3/16"	1/8"	

SKU #	Inner Diameter	Outer Diameter	Thickness	List Price
OR214	1"	1-1/4"	1/8"	
OR215	1-1/16"	1-5/16"	1/8"	
OR216	1-1/8"	1-3/8"	1/8"	
OR217	1-3/16"	1-7/16"	1/8"	
OR218	1-1/4"	1-1/2"	1/8"	
OR219	1-5/16"	1-9/16"	1/8"	
OR220	1-3/8"	1-5/8"	1/8"	
OR221	1-7/16"	1-11/16"	1/8"	
OR222	1-1/2"	1-3/4"	1/8"	
OR223	1-5/8"	1-7/8"	1/8"	
OR224	1-3/4"	2"	1/8"	
OR225	1-7/8"	2-1/8"	1/8"	
OR226	2"	2-1/4"	1/8"	
OR227	2-1/8"	2-3/8"	1/8"	
OR228	2-1/4"	2-1/2"	1/8"	
OR229	2-3/8"	2-5/8"	1/8"	
OR230	2-1/2"	2-3/4"	1/8"	
OR231	2-5/8"	2-7/8"	1/8"	
OR232	2-3/4"	3"	1/8"	
OR233	2-7/8"	3-1/8"	1/8"	
OR234	3"	3-1/4"	1/8"	
OR235	3-1/8"	3-3/8"	1/8"	
OR236	3-1/4"	3-1/2"	1/8"	
OR237	3-3/8"	3-5/8"	1/8"	
OR238	3-1/2"	3-3/4"	1/8"	
OR239	3-5/8"	3-7/8"	1/8"	
OR240	3-3/4"	4"	1/8"	
OR241	3-7/8"	4-1/8"	1/8"	
OR243	4-1/8"	4-3/8"	1/8"	
OR244	4-1/4"	4-1/2"	1/8"	
OR245	4-3/8"	4-5/8"	1/8"	
OR246	4-1/2"	4-3/4"	1/8"	
OR247	4-5/8"	4-7/8"	1/8"	
OR248	4-3/4"	5"	1/8"	
OR250	5"	5-1/4"	1/8"	
OR252	5-1/4"	5-1/2"	1/8"	
OR254	5-1/2"	5-3/4"	1/8"	
OR256	5-3/4"	6"	1/8"	
OR258	6"	6-1/4"	1/8"	
OR259	6-1/4"	6-1/2"	1/8"	
OR260	6-1/2"	6-3/4"	1/8"	
OR261	6-3/4"	7"	1/8"	
OR263	7-1/4"	7-1/2"	1/8"	
OR265	7-3/4"	8"	1/8"	
OR312	5/8"	1"	3/16"	
OR315	13/16"	1-3/16"	3/16"	
OR316	7/8"	1-1/4"	3/16"	
OR317	15/16"	1-5/16"	3/16"	
OR318	1"	1-3/8"	3/16"	

For current prices and product availability, visit: <https://paulhardware.com/catalog-tool>

Standard O-Rings

SKU #	Inner Diameter	Outer Diameter	Thickness	List Price	SKU #	Inner Diameter	Outer Diameter	Thickness	List Price
OR319	1-1/16"	1-7/16"	3/16"		OR340	3-3/8"	3-3/4"	3/16"	
OR320	1-1/8"	1-1/2"	3/16"		OR341	3-1/2"	3-7/8"	3/16"	
OR321	1-3/16"	1-9/16"	3/16"		OR342	3-5/8"	4"	3/16"	
OR322	1-1/4"	1-5/8"	3/16"		OR343	3-3/4"	4-1/8"	3/16"	
OR323	1-5/16"	1-11/16"	3/16"		OR344	3-7/8"	4-1/4"	3/16"	
OR324	1-3/8"	1-3/4"	3/16"		OR345	4"	4-3/8"	3/16"	
OR325	1-1/2"	1-7/8"	3/16"		OR348	4-3/8"	4-3/4"	3/16"	
OR326	1-5/8"	2"	3/16"		OR349	4-1/2"	4-7/8"	3/16"	
OR327	1-3/4"	2-1/8"	3/16"		OR353	5"	5-3/8"	3/16"	
OR328	1-7/8"	2-1/4"	3/16"		OR354	5-1/8"	5-1/2"	3/16"	
OR329	2"	2-3/8"	3/16"		OR359	5-3/4"	6-1/8"	3/16"	
OR330	2-1/8"	2-1/2"	3/16"		OR361	6"	6-3/8"	3/16"	
OR331	2-1/4"	2-5/8"	3/16"		OR365	7"	7-3/8"	3/16"	
OR332	2-3/8"	2-3/4"	3/16"		OR368	7-3/4"	8-1/8"	3/16"	
OR333	2-1/2"	2-7/8"	3/16"		OR427	4-3/4"	5-1/4"	1/4"	
OR334	2-5/8"	3"	3/16"		OR431	5-1/4"	5-3/4"	1/4"	
OR335	2-3/4"	3-1/8"	3/16"		OR433	5-1/2"	6"	1/4"	
OR336	2-7/8"	3-1/4"	3/16"		OR437	6"	6-1/2"	1/4"	
OR337	3"	3-3/8"	3/16"		OR445	8"	8-1/2"	1/4"	
OR338	3-1/8"	3-1/2"	3/16"		OR455	13"	13-1/2"	1/4"	
OR339	3-1/4"	3-5/8"	3/16"						

PaulB Hardware

O-Rings

Metric O-Rings



Metric O-Ring Kit, 408 pc

Buna, 70 Durometer Rubber

SKU# ORKITMM

Metric O-Ring Buna, 70 Durometer Rubber

SKU #	Inner Diameter	Outer Diameter	Thickness	List Price	SKU #	Inner Diameter	Outer Diameter	Thickness	List Price
OR10X2	10mm	14mm	2mm		OR22X25	22mm	27mm	2.5mm	
OR10X2V	10mm	14mm	2mm		OR18X35	18mm	25mm	3.5mm	
OR12X2	12mm	16mm	2mm		OR20X35	20mm	27mm	3.5mm	
OR13X2	13mm	17mm	2mm		OR22X35	22mm	29mm	3.5mm	
OR16X2	16mm	20mm	2mm		OR23X35	23mm	30mm	3.5mm	
OR3X2	3mm	7mm	2mm		OR25X35	25mm	32mm	3.5mm	
OR5X2	5mm	9mm	2mm		OR27X35	27mm	34mm	3.5mm	
OR6X2	6mm	10mm	2mm		OR28X35	28mm	35mm	3.5mm	
OR8X2	8mm	12mm	2mm		OR30X35	30mm	37mm	3.5mm	
OR10X25	10mm	15mm	2.5mm		OR31X35	31mm	38mm	3.5mm	
OR11X25	11mm	16mm	2.5mm		OR32X35	32mm	39mm	3.5mm	
OR12X25	12mm	17mm	2.5mm		OR34X35	34mm	41mm	3.5mm	
OR14X25	14mm	19mm	2.5mm		OR36X35	36mm	43mm	3.5mm	
OR15X25	15mm	20mm	2.5mm		OR38X35	38mm	45mm	3.5mm	
OR16X25	16mm	21mm	2.5mm		OR41X35	41mm	48mm	3.5mm	
OR18X25	18mm	23mm	2.5mm		OR44X35	44mm	51mm	3.5mm	
OR19X25	19mm	24mm	2.5mm		OR46X35	46mm	53mm	3.5mm	
OR20X25	20mm	25mm	2.5mm		OR50X35	50mm	57mm	3.5mm	
OR21X25	21mm	26mm	2.5mm						